

# Chatillon® 8200 Series Hanging Scales

The CHATILLON® 8200 Series hanging scale are crafted of chrome-plates steel with machines stainless steel pinions and a phosphor bronze rack combination for virtually frictionless performance. The 13-inch double dial reaches full capacity in three revolutions. Runners are indexed for each revolution. Brass air dashpots eliminate pointer oscillation.

The 8200 Series may be specified as a Class III “Legal for Trade” scale. Available in avoirdupois and metric models, the 8200 Series can be supplied with a bottom hook (nickel plated steel) or the popular AS circular pan. The AS Pan is constructed of stainless steel. The supporting ring and bow are of nickel plated steel. The removable 5-inch deep round pan has drain holes and is USDA approved for use in general food handling.

## Features

- H44 Class III “Legal for Trade”
- Avoirdupois and Metric Graduations
- Full Capacity in Three Pointer Revolutions
- Double 13-inch Dials (Glass Covered)
- Bottom Hook or AS Attachments
- 1 Year Warranty

## Specifications

|                            |                         |
|----------------------------|-------------------------|
| <b>Accuracy:</b>           | See Table               |
| <b>Maximum Overload:</b>   | 120% of Rated Capacity  |
| <b>Tare Capacity:</b>      | 10% Full Scale Capacity |
| <b>Weight with Hook:</b>   | 14 lbs (6.4 kg)         |
| <b>Weight with AS Pan:</b> | 18 lbs (8.2 kg)         |



Shown with bottom hook



Shown with optional AS Pan

## Accuracies - Class IIII

| Model     | Resolution   | Range      | Scale Divisions | Tolerance |         |           |
|-----------|--------------|------------|-----------------|-----------|---------|-----------|
|           |              |            |                 | Division  | Weight  | %Accurate |
| 8230DD-S  | 30 lb x 1 oz | 0 - 3 lb   | 0 - 50          | ±1/2 d    | ±0.5 oz | ±0.10%    |
|           |              | 4 - 12 lb  | 51 - 200        | ±1 d      | ±1 oz   | ±0.21%    |
|           |              | 13 - 20 lb | 201 - 400       | ±1-1/2 d  | ±1/5 oz | ±0.31%    |
|           |              | 21 - 30 lb | 400 +           | ±2-1/2 oz | ±2.5 oz | ±0.52%    |
| 8260DD-S  | 60 lb x 2 oz | 0 - 6 lb   | 0 - 50          | ±1/2 d    | ±0.5 oz | ±0.05%    |
|           |              | 7 - 24 lb  | 51 - 200        | ±1 d      | ±1 oz   | ±0.10%    |
|           |              | 25 - 40 lb | 201 - 400       | ±1-1/2 d  | ±1/5 oz | ±0.16%    |
|           |              | 41 - 60 lb | 400 +           | ±2-1/2 oz | ±2.5 oz | ±0.26%    |
| K8215DD-S | 15 kg x 20 g | 0 - 1 kg   | 0 - 50          | ±1/2 d    | ±10 g   | ±0.07%    |
|           |              | 2 - 4 kg   | 51 - 200        | ±1 d      | ±20 g   | ±0.13%    |
|           |              | 5 - 8 kg   | 201 - 400       | ±1-1/2 d  | ±30 g   | ±0.20%    |
|           |              | 9 - 15 kg  | 400 +           | ±2-1/2 oz | ±50 g   | ±0.33%    |
| K8230DD-S | 30 kg x 50 g | 0 - 2 kg   | 0 - 50          | ±1/2 d    | ±25 g   | ±0.08%    |
|           |              | 3 - 10 kg  | 51 - 200        | ±1 d      | ±50 g   | ±0.17%    |
|           |              | 11 - 20 kg | 201 - 400       | ±1-1/2 d  | ±75 g   | ±0.25%    |
|           |              | 21 - 30 kg | 400 +           | ±2-1/2 oz | ±120 g  | ±0.42%    |

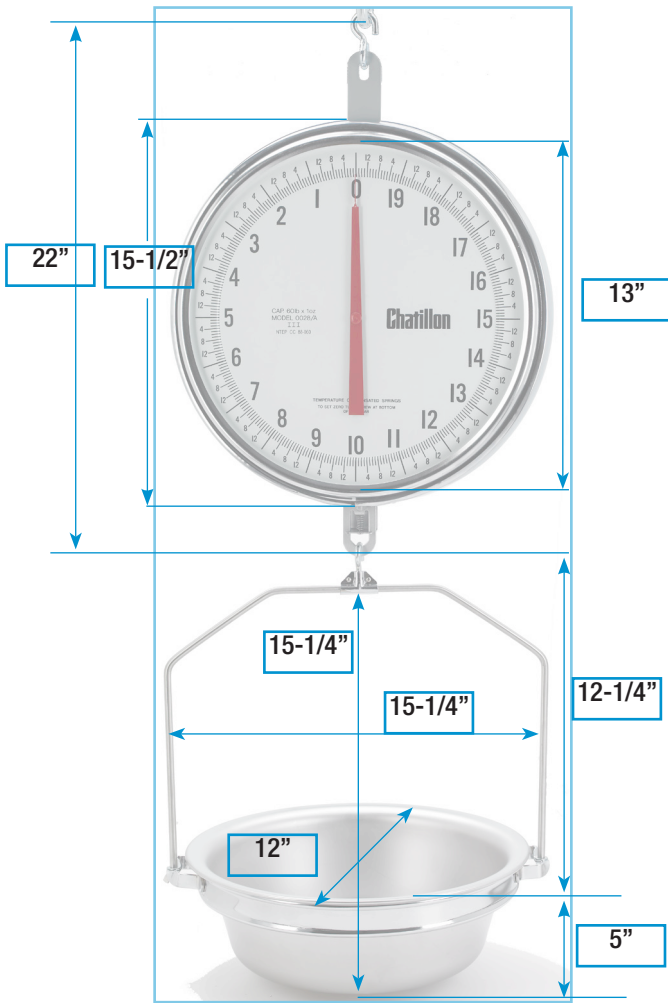
## Accuracies - Class III “Legal for Trade”

| Model     | Resolution     | Range      | Scale Divisions | Tolerance |         |           |
|-----------|----------------|------------|-----------------|-----------|---------|-----------|
|           |                |            |                 | Division  | Weight  | %Accurate |
| 8230DD-T  | 30 lb x 1/2 oz | 0 - 15 lb  | 0 - 500         | ±1/2 d    | ±0.25oz | ±0.05%    |
|           |                | 16 - 30 lb | 501 - 2000      | ±1 d      | ±0.5 oz | ±0.05%    |
| 8260DD-T  | 60 lb x 1 oz   | 0 - 31 lb  | 0 - 500         | ±1/2 d    | ±0.5 oz | ±0.05%    |
|           |                | 32 - 60 lb | 501 - 2000      | ±1 d      | ±1 oz   | ±0.10%    |
| K8215DD-T | 15 kg x 20 g   | 0 - 10 kg  | 0 - 500         | ±1/2 d    | ±10 g   | ±0.07%    |
|           |                | 11 - 15 kg | 501 - 2000      | ±1 d      | ±20 g   | ±0.13%    |

These accuracies and tolerances are based on Handbook 44 Guidelines.

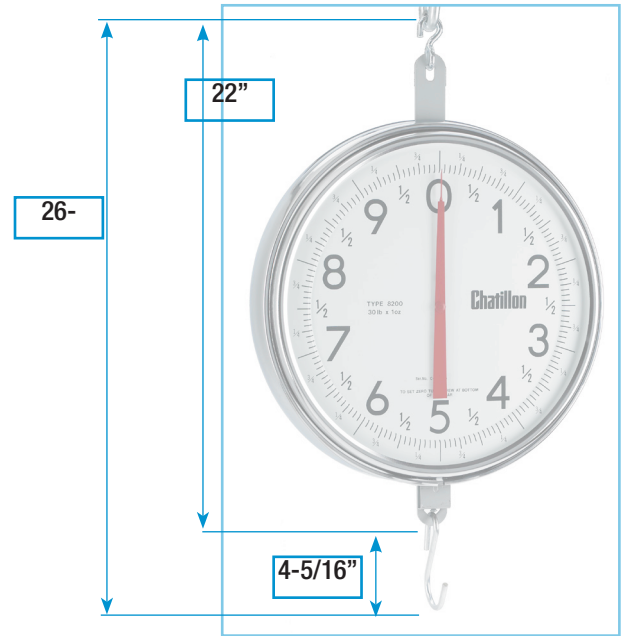
Certificate of Conformance No. 88-060, Model 0028/A was issued under the national Type Evaluation Program of the National Conference on Weights and Measures, that the design conforms to NIST Handbook 44 Class III. The scale is “Legal for Trade” subject to on-site verification by the local Weights and Measures jurisdictions.

## Dimensions



## Accessories

| Part No.     | Description              |
|--------------|--------------------------|
| 5854         | Bottom Hook              |
| SPK-SCALE-AS | AS Pan Assembly ( 4 lbs) |
| 7436-1       | AS Pan Only              |
| 16097        | Bow, for AS Pan          |
| 16098        | Ring, for AS Pan         |



## Ordering

### H44 Class III "Legal for Trade"

| Old Model | New Model    | Capacity       | Dial   | Attachment  |
|-----------|--------------|----------------|--------|-------------|
| 0628HDD   | 8230DD-T-H   | 30 lb x 1/2 oz | Double | Bottom Hook |
| 5628ASDD  | 8230DD-T-AS  | 30 lb x 1/2 oz | Double | AS Pan      |
| 0728HDD   | 8260DD-T-H   | 60 lb x 1 oz   | Double | Bottom Hook |
| 5728ASDD  | 8260DD-T-AS  | 60 lb x 1 oz   | Double | AS Pan      |
| K0628HDD  | K8215DD-T-H  | 15 kg x 20 g   | Double | Bottom Hook |
| K5628ASDD | K8215DD-T-AS | 15 kg x 20 g   | Double | AS Pan      |

Certificate of Conformance No. 88-060, Model 0028/A was issued under the national Type Evaluation Program of the National Conference on Weights and Measures, that the design conforms to NIST Handbook 44 Class III. The scale is "Legal for Trade" subject to on-site verification by the local Weights and Measures jurisdictions.

### H44 Class III "Legal for Trade"

| Old Model  | New Model    | Capacity     | Dial   | Attachment  |
|------------|--------------|--------------|--------|-------------|
| 8230HDD    | 8230DD-S-H   | 30 lb x 1 oz | Double | Bottom Hook |
| 8230ASDD   | 8230DD-S-AS  | 30 lb x 1 oz | Double | AS Pan      |
| 8260HDD    | 8260DD-S-H   | 60 lb x 1 oz | Double | Bottom Hook |
| 8260ASDD   | 8260DD-S-AS  | 60 lb x 1 oz | Double | AS Pan      |
| 8215KGHDD  | K8215DD-S-H  | 15 kg x 20 g | Double | Bottom Hook |
| 8215KGASDD | K8215DD-S-AS | 15 kg x 20 g | Double | AS Pan      |
| 8230KGHDD  | K8230DD-S-H  | 30 kg x 50 g | Double | Bottom Hook |
| 8230KHASDD | K8230DD-S-AS | 30 kg x 50 g | Double | Bottom Hook |

### UK

Tel +44 (0)1243 833 370  
uk-far.general@ametek.co.uk

### France

Tel +33 (0)1 30 68 89 40  
general.lloyd-instruments@ametek.fr

### Germany

Tel +49 (0)2159 9136 510  
info.mct-de@ametek.de

### Denmark

Tel +45 4816 8000  
ametekdk@ametek.com

### USA

Florida  
Tel +1 (727) 538 6000  
chatillon.fl-lar@ametek.com

California  
Tel +1 (800) 444 1850  
sales@crystalengineering.net

### India

Tel +91 22 2836 4750  
ametekdk@ametek.com

### Singapore

Tel +65 6484 2388  
ametekdk@ametek.com

### China

Shanghai  
Tel +86 21 5868 5111

Beijing  
Tel +86 10 8526 2111

Guangzhou  
Tel +86 20 8363 4768  
lloyd@ametek.com.cn